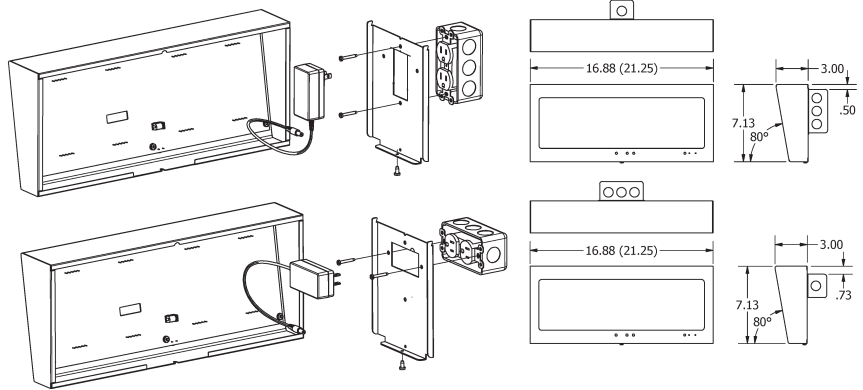
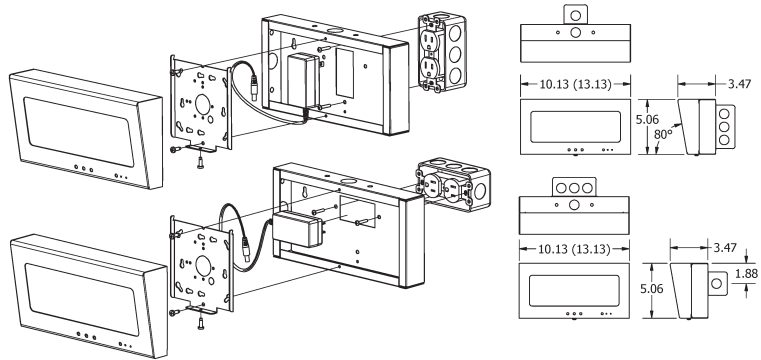


Wall Transformer (-120V-WT) Versions

The DW400-120V-WT version mounts over a flush mounted standard electrical outlet in a single gang box. The electrical box may be mounted vertical or horizontal. There are knock-outs in the mounting plate to choose between horizontal or vertical. The wall transformer plugs into the outlet behind the clock. Dimensions in parenthesis are for the 6-digit version.

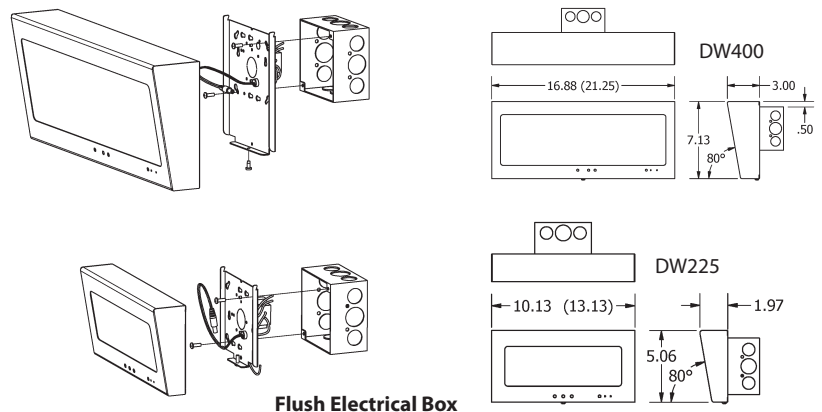


The DW225-120V-WT version requires the included DW225 Surface Box to provide the depth necessary to mount over a flush standard electrical outlet in a single gang box. The electrical box may be mounted vertical or horizontal. There are knock-outs in the surface box to choose between horizontal or vertical. The wall transformer plugs into the outlet behind the clock. Dimensions in parenthesis are for the 6-digit version.

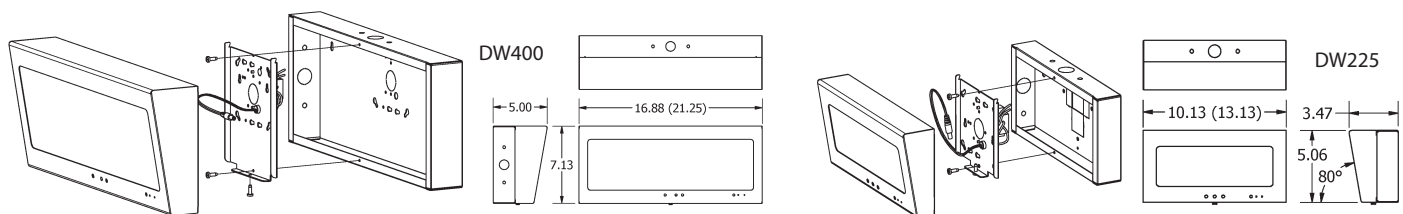


Hard-Wired Transformer (-120V-HW) Versions

The DW225 and DW400-120V-HW versions use a hard-wired transformer to provide power from the local 120V source. The mounting plate screws to a handy, single gang, double gang, or deep 4" square electrical box. The electrical box may be mounted vertical or horizontal. For surface conduit installations, the surface box may be ordered. The surface box provides a conduit entry on two sides.



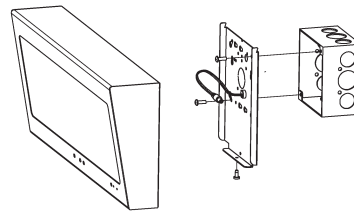
Flush Electrical Box



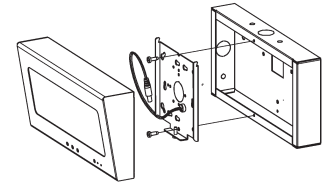
Surface Mounted Box

Existing Low Voltage Power (-24V) Versions

The DW225 and DW400-24V versions are for use where there is a centralized 24V power supply. No transformers are required at the clock location. Depending upon local electrical codes, an electrical box may not be required. The mounting plate screws to a handy, single gang, double gang, or 4" square electrical box. The mounting options are the same as the -HW versions without a need for a transformer.



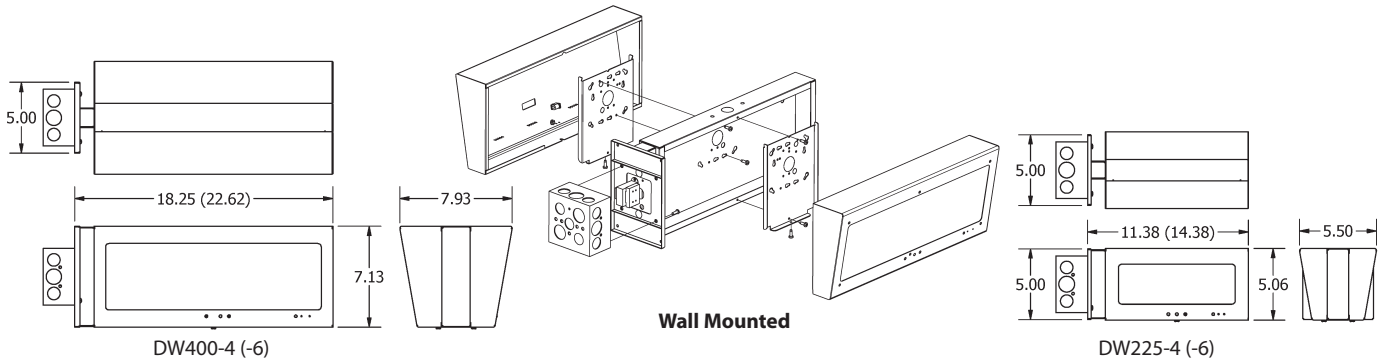
Flush Example



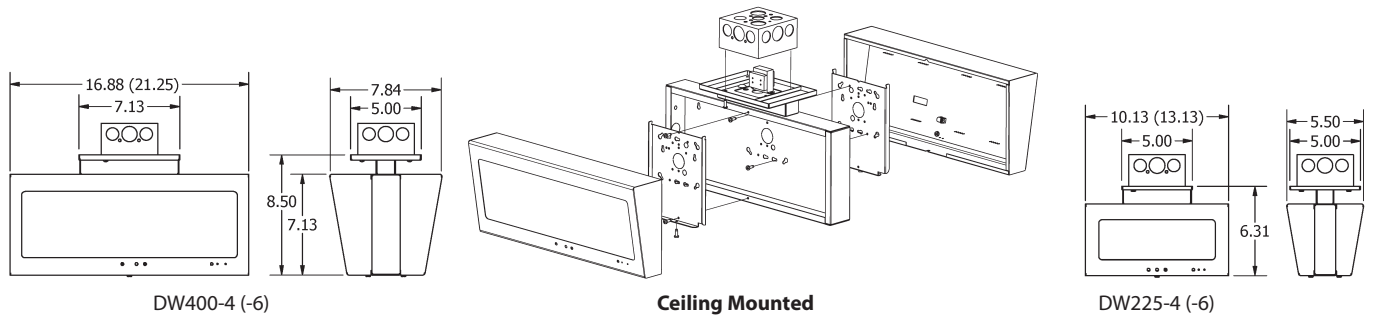
Surface Example

Double Face (-120V-HW) and (-24V) Versions

The DW225 and DW400 Double Face versions can either be wall mounted or ceiling mounted. Both mount to a securely installed deep 4" square electrical box. The (-120V-HW) models come complete with the required transformer attached to the mounting plate locating the transformer inside the electrical box. The (-24V) models are the same less the transformers.



Wall Mounted



Ceiling Mounted